

Heavy Duty Telescopic Slides

Contents

[Overview](#)

[Technical Specifications](#)

[Assembly Instructions](#)

[Heavy Duty Telescopic Slide
\(600 mm\)](#)

[Heavy Duty Telescopic Slide
\(900 mm\)](#)

[Heavy Duty Telescopic Slide
\(1200 mm\)](#)

Overview

Vention offers 3 lengths of heavy-duty telescopic slides, 600 mm, 900 mm, and 1200mm. A heavy-duty drawer needs two heavy-duty telescopic slides. This document will guide you through their technical specification and assembly requirements.

Technical Specifications

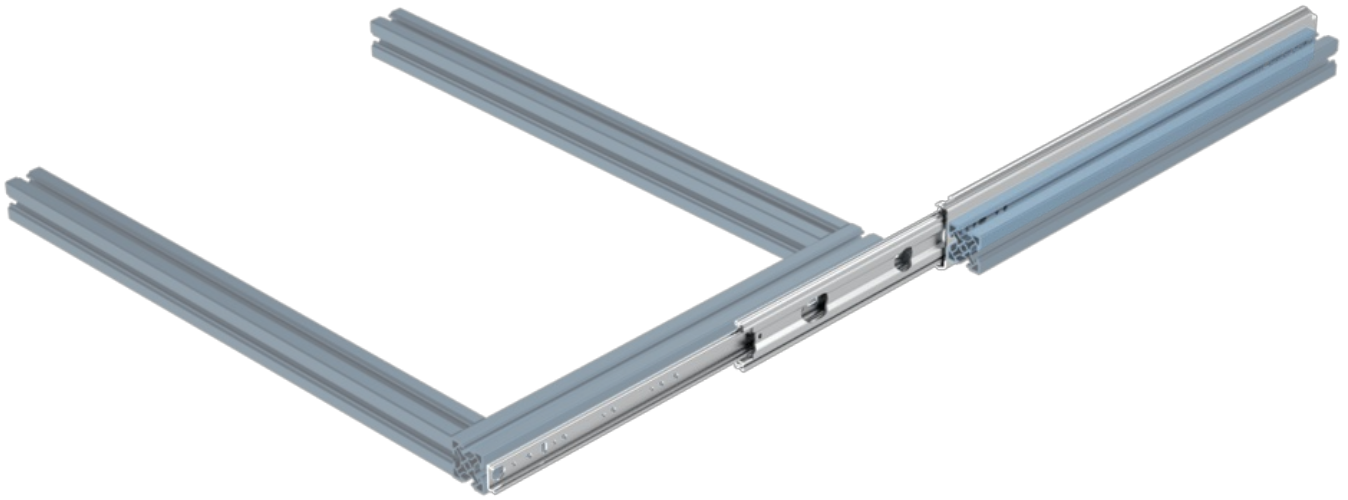
At full extension, Vention's heavy-duty telescopic slides feature a load capacity of 200 kg per pair. These slides can be used on drawers up to 1050mm wide. The table below shows the travel length, closed length, and total extended length for each of the available length:

Part Number	Travel Length (mm)	Closed Length (mm)	Total Extended Length (mm)
MO-LM-029-0600	609.6	609.6	1219.2
MO-LM-029-0900	914.4	914.4	1828.8
MO-LM-029-01200	1219.2	1219.2	2438.4

Assembly Instructions

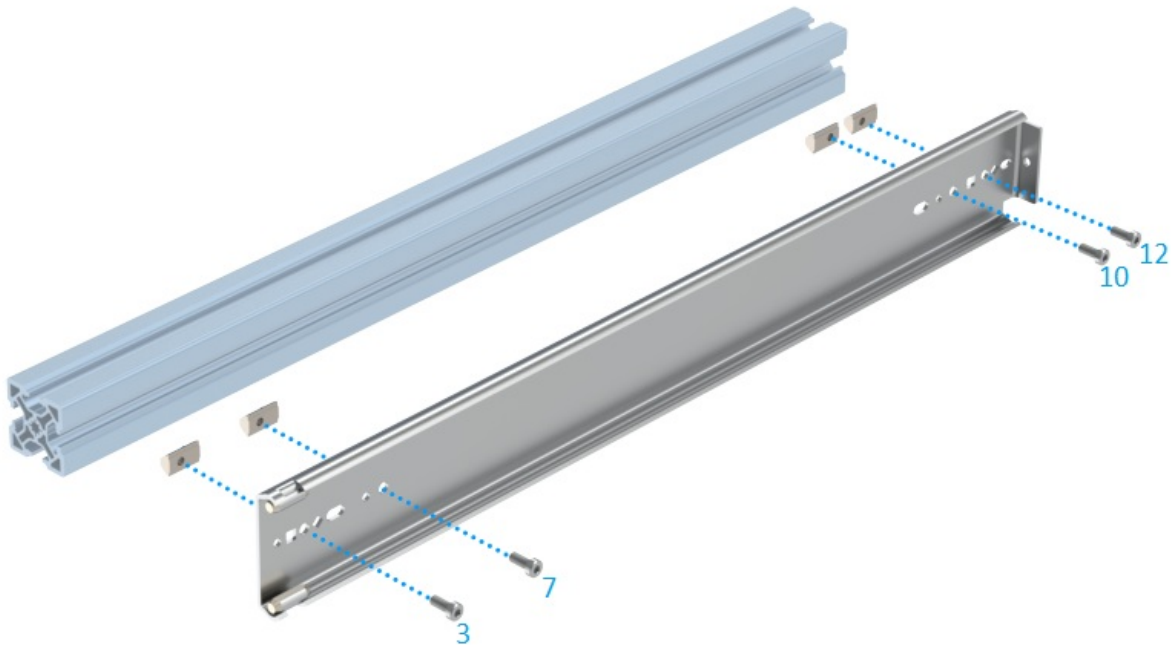
Important note: Install drawer slides early in the structure design to make assembly easier. Plan for their integration from the start to avoid issues later. Doing so not only helps prevent installation challenges but also ensures the structure is designed for straightforward assembly. Waiting until the last stages may cause difficulties, leading to the need for rework, disassembly, and undoing previous steps.

Below are the steps to quickly assemble drawer slides for your application:

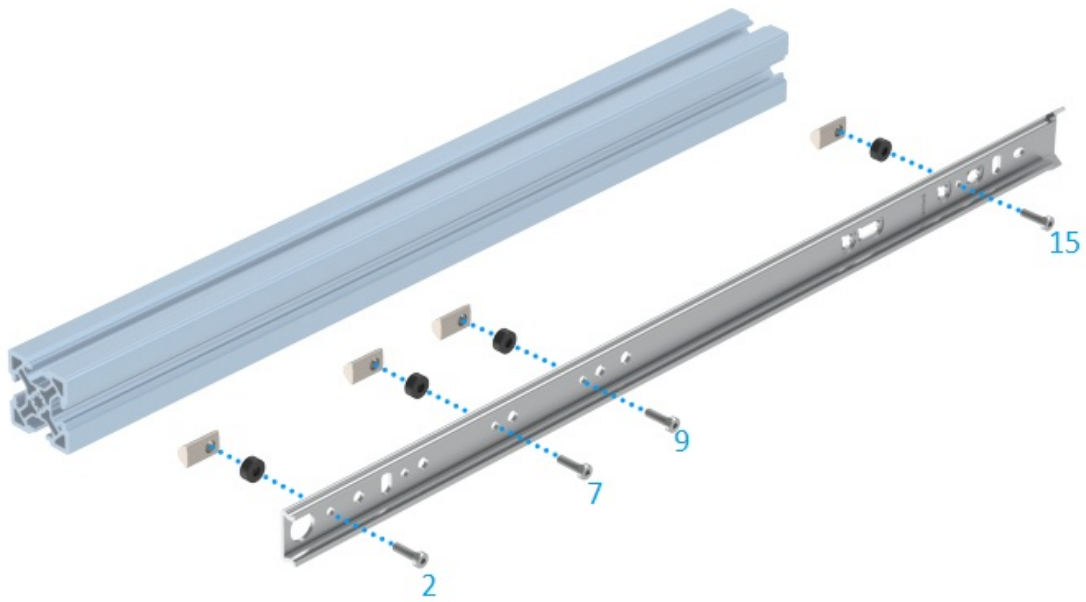


Heavy Duty Telescopic Slide (600 mm)

1. Extend the slide to its full extended position
2. **On the outer part of the slide**, insert the four (4) M6 screws into the determined holes on the outer side of the slide according to the picture below.
3. Install M6 T-nuts loosely on these screws. Do not tighten the screw yet.
4. Slide the whole outer slide and its T-nuts into the extrusion groove. Now you can fully tighten the M6 screws.
5. If you have no access to tighten some screws, you can slide the middle stage of the slide and use its access holes to be able to tighten those screws.

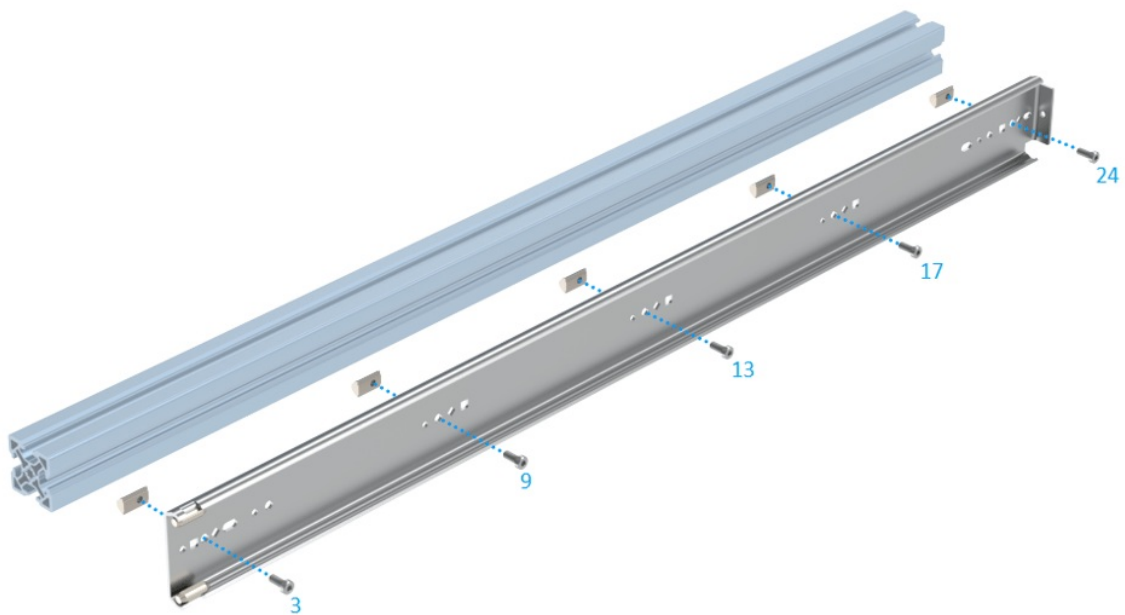


1. **On the inner side of the slide**, insert the four M5 screws into the determined holes according to the picture below.
2. Insert the spacer into each screw and install the M5 T-nut loosely on the screws. Do not tighten the screw yet.
3. Slide the whole inner slide and its T-nuts into the extrusion groove.
4. Finally, fully tighten the M5 screws.

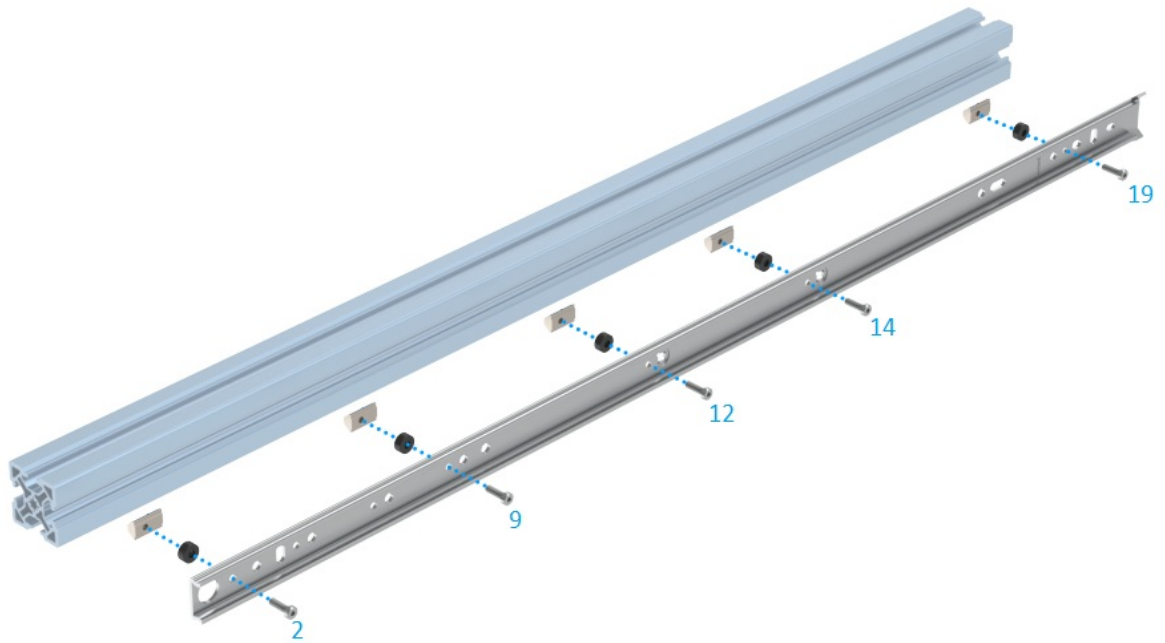


Heavy Duty Telescopic Slide (900 mm)

1. Extend the slide to its full extended position
2. On the larger part of the slide, insert the five (5) M6 screws into the determined holes on the outer side of the slide according to the picture below.
3. Install M6 T-nuts loosely on these screws. Do not tighten the screw yet.
4. Slide the whole outer slide and its T-nuts into the extrusion groove and fully tighten the M6 screws.
5. If you have no access to tighten some screws, slide the middle stage of the slide and use its access holes to be able to tighten those screws.

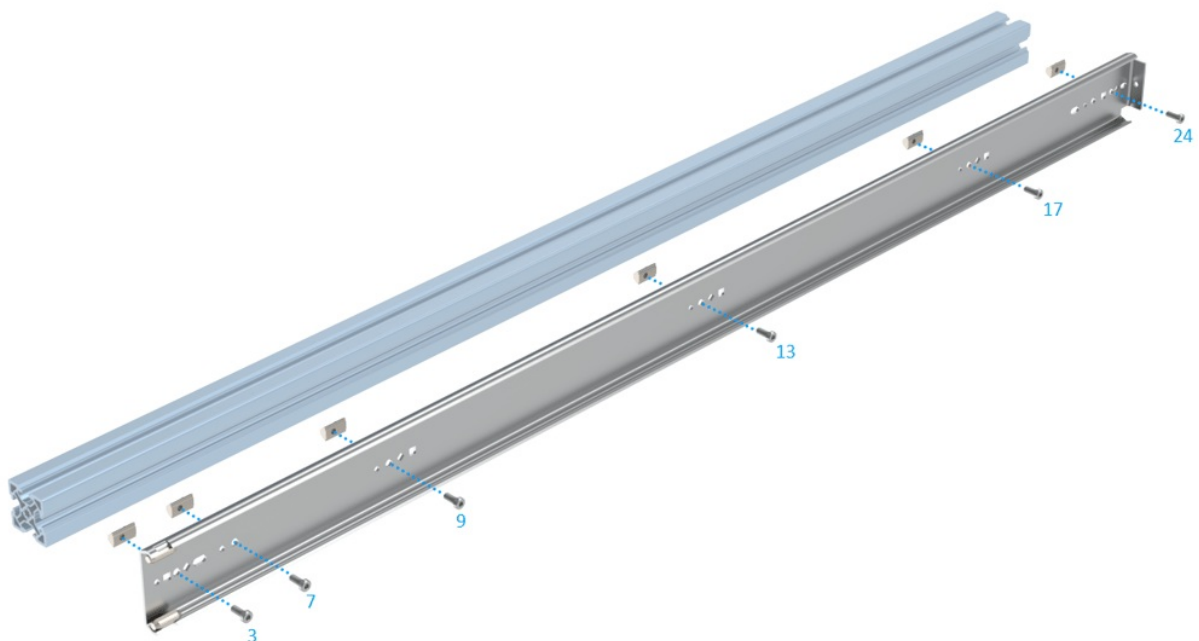


1. On the inner side of the slide, insert the five M5 screws into the determined holes according to the picture below.
2. Insert the spacer into each screw and install the M5 T-nut loosely on the screws. Do not tighten the screw yet.
3. Slide the whole inner slide and its T-nuts into the extrusion groove
4. Fully tighten the M5 screws.



Heavy Duty Telescopic Slide (1200 mm)

1. Extend the slide to its full extended position
2. On the larger part of the slide, insert the six (6) M6 screws into the determined holes according to the picture below.
3. Install M6 T-nuts loosely on these screws. Do not tighten the screw yet.
4. Slide the whole outer slide and its T-nuts into the extrusion groove and fully tighten the M6 screws.
5. If you have no access to tighten some screws, slide the middle stage of the slide and use its access holes to be able to tighten those screws.



1. On the inner side of the slide, insert the six (6) M5 screws into the determined holes according to the picture below.
2. Insert the spacer into each screw and after that install the M5 T-nut loosely on the screws. Do not tighten the screw yet.

3. Slide the whole inner slide and its T-nuts into the extrusion groove.
4. Fully tighten the M5 screws.

