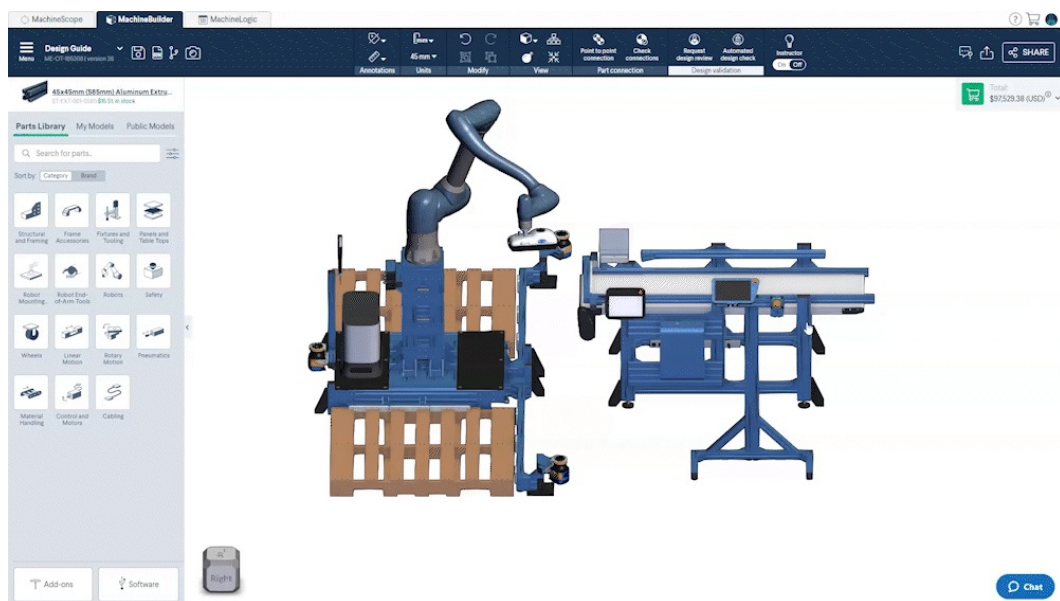
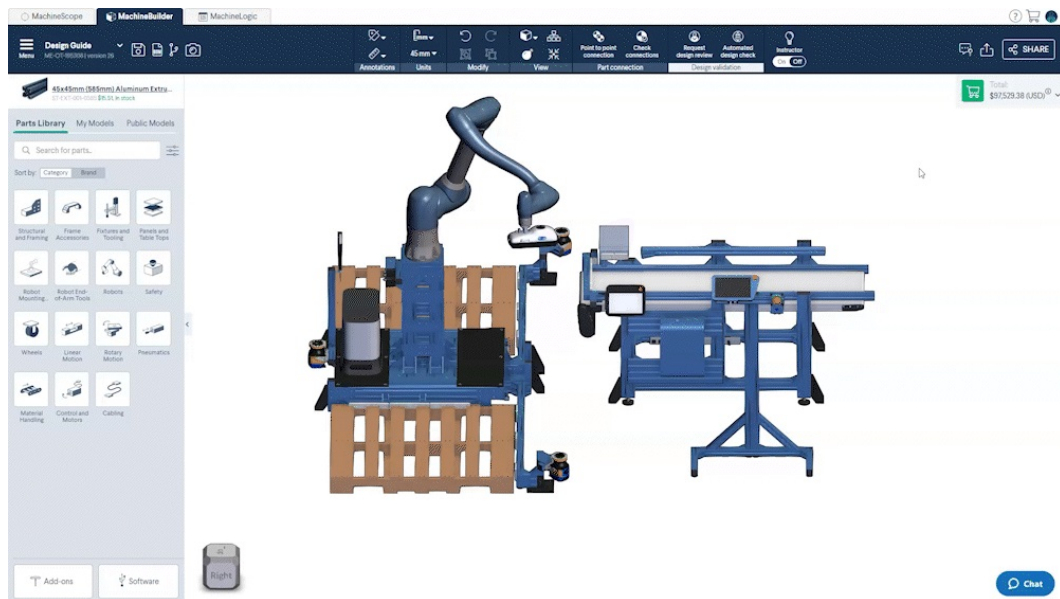


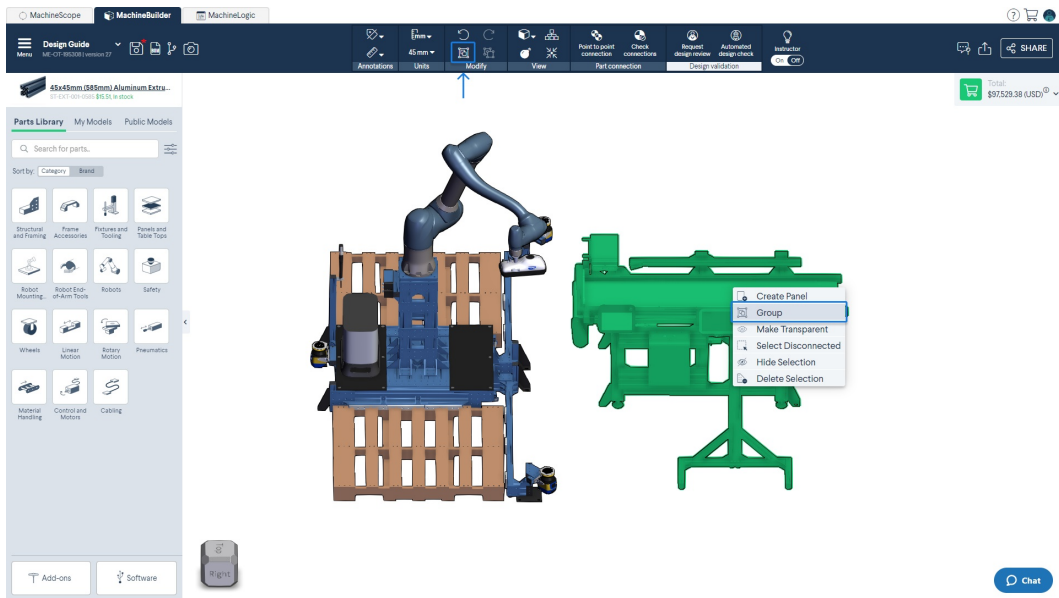
Group & Ungroup

To get started open an existing or new 3D design.

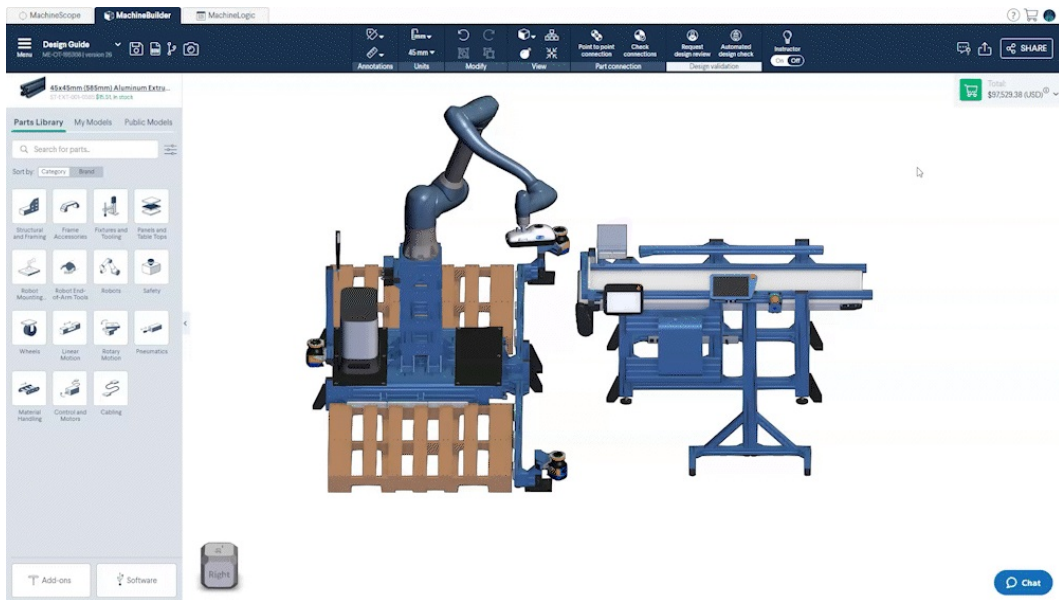
Once you've started a design you can simply click-and-drag or hold-ctrl-and-click to select a group.



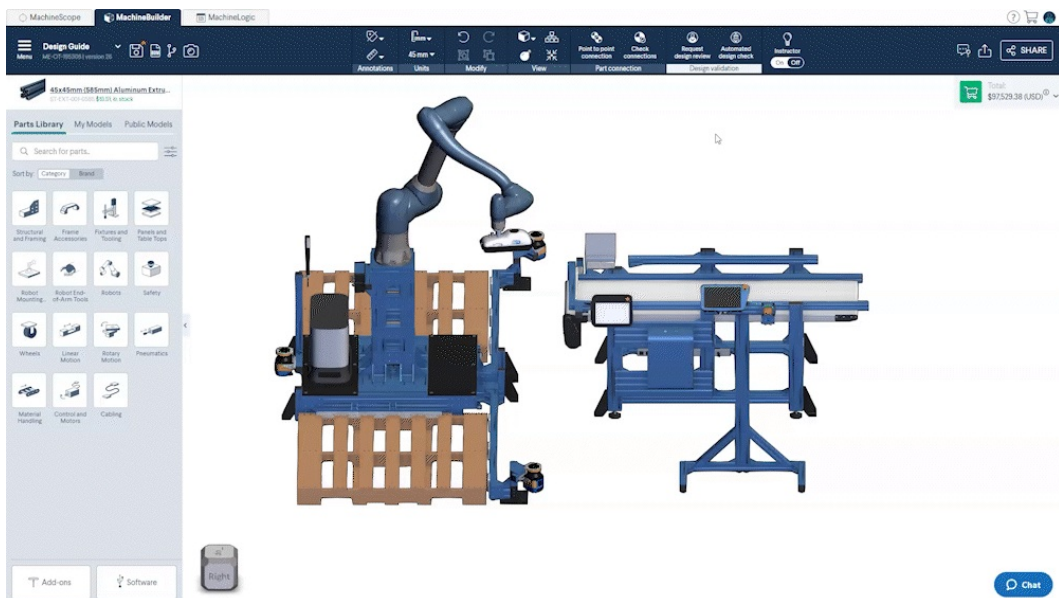
Once you have completed your selection, you can click the group icon in the menu at the top of the screen. Alternatively, you can right click and select group.



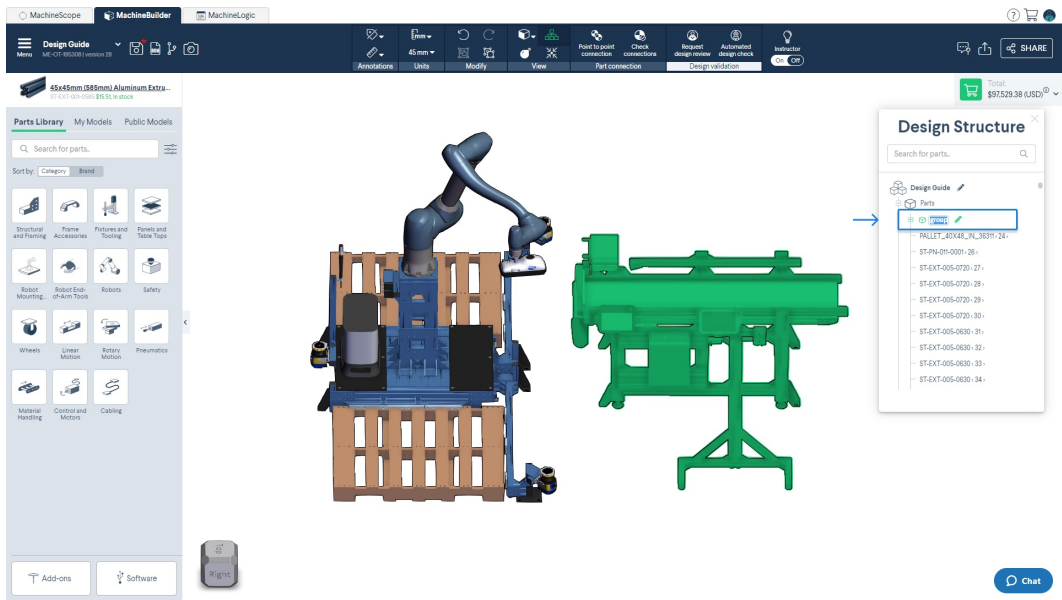
This group of parts and subassemblies will now move and rotate together. However, individual connections remain intact.



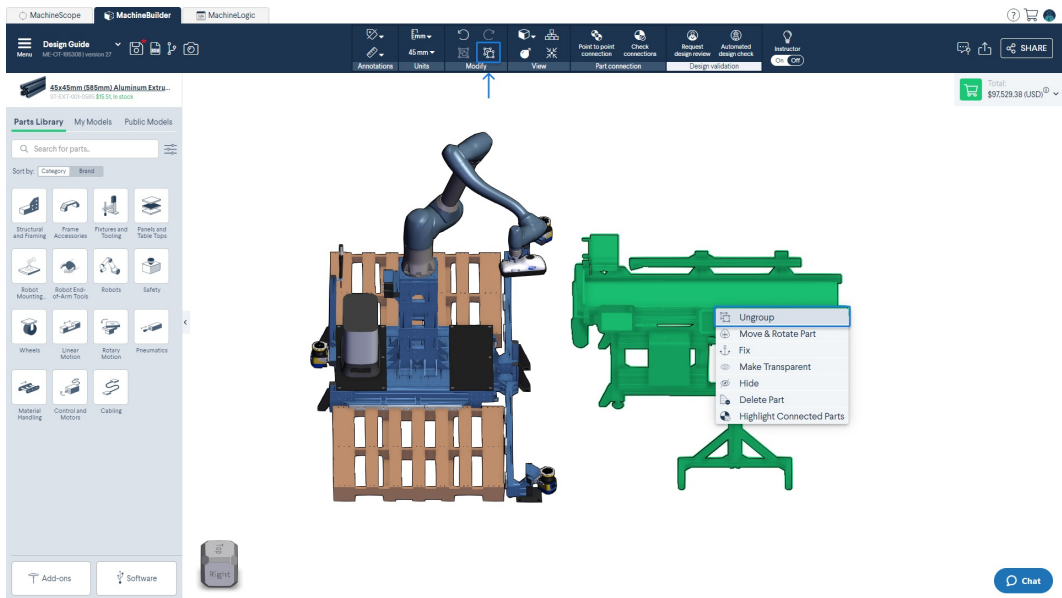
You can click the tree view icon in the menu at the bottom of the screen to see your groups.



You can click the edit icon in the tree view to bring up the option to rename them.



To ungroup one or several parts, select the parts and click the ungroup icon. Alternatively you can right click and select "Ungroup".



Grouping parts can be useful when reusing components of your design. Select the group and then use the ctrl+C and ctrl+V shortcuts to copy and paste the group into your design.

Try It Now